

1. Specifications

Power Lite Electrical Specifications

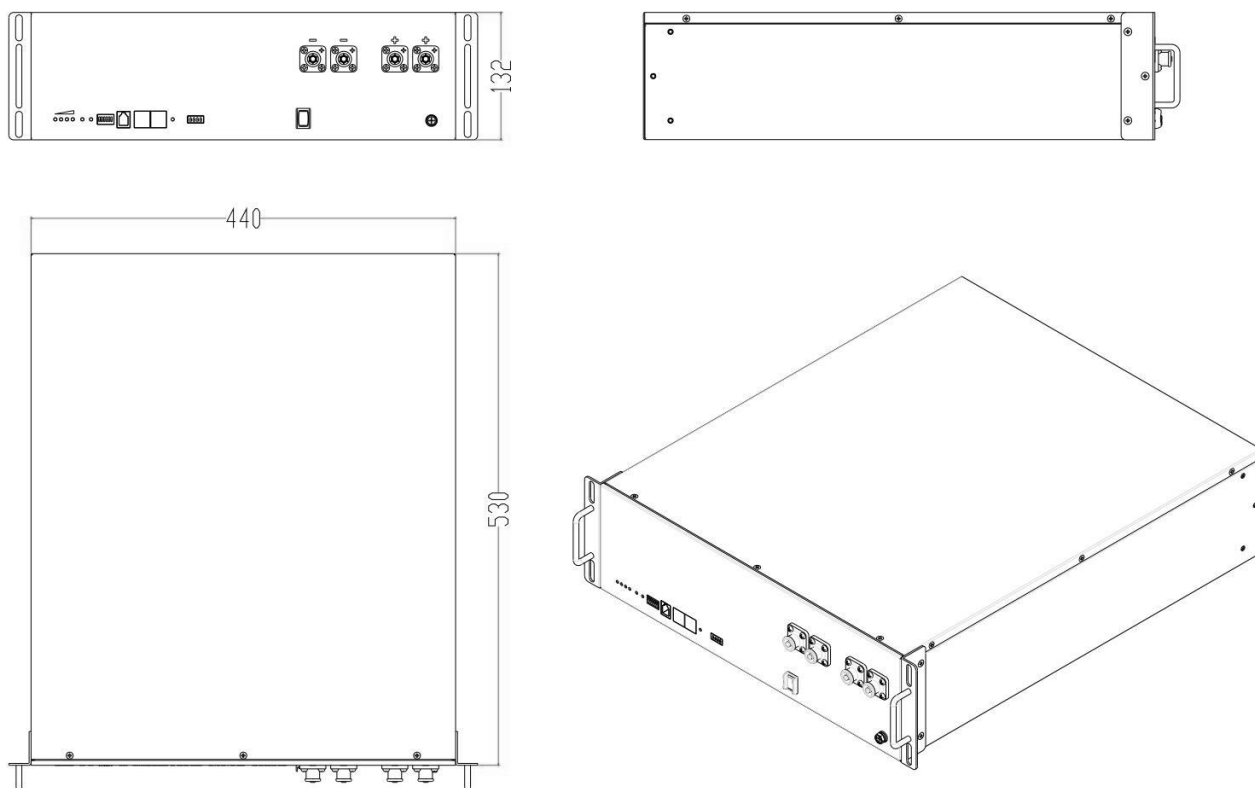


Fig. 1 Power Lite Dimension

NO.	Key Item	Specification	Remarks
1	Battery Model	CATL_LFP100 Ah	Cathode: Lithium iron Phosphate Anode: Graphite
2	Module Model	M026100-A 1P8S Module	2 Module In series
3	Nominal Capacity	100 Ah	
4	Nominal Voltage	51.2 V	Single cell voltage 3.2V
5	Operating Voltage Range	44.8V~57.6 V	
6	Rated Energy	5.12 kWh	Usable 5.12 kWh
7	Available SOC Range	0% ~ 100%	
8	SOC Transportation Range	40%	
9	Operating Temperature	Charging: 0~55 °C Discharging: -20~55 °C	Detailed use conditions need to refer to the charge and discharge window
10	Storage Temperature	-20 ~ 50 °C	Recommended at 25 °C
11	Working Humidity	20~80 %RH	
12	Standard Charging Current	0.5C (50A)	
13	Maximum Charging	0.5C (50A)	



	Continuous Current		
14	Standard Discharge Current	0.5C (50A)	Recommendation value
15	Max Discharge Continuous Current ¹	1C (100A)	(1C, 25±2 °C)
16	ΔVoltage	≤20mV	60 min after standing and stopped after charging and discharging
17	Weight	~43Kg	Actual weight requires weighing confirmation
18	Dimensions	Length: 440±5 mm Width: 530±5 mm Height: 132±5 mm	

¹: Refer to UZ ENERGY engineer to confirm the working condition

2. Site Requirements

Power Lite Physical Requirements

Power Lite can be installed horizontally or mounted on a floor or wall (using corresponding mounting accessories). In both types of installation, the ground or wall must be capable of supporting the full weight of Power Lite and its mounting hardware.

NOTE: The wall must extend to all edges of the system, allowing no access to the back of the unit once it is mounted.

Power Lite includes installation accessories that supports the unit in horizontal, floor- and wall-mount configurations. Do not use other hardware to anchor Power Lite to the wall or floor.

Installation Accessories

NOTE: The specification of the following parts can be found at link:

<https://uzenergy.com/products/power-lite-series/>

A. Horizontal Installation



Fig. 2 Pack Holder (H100)

B. Floor-mounting Installation



Fig 3 Floor-mounting parts (C100)

C. Wall-mounting Installation



Fig. 4 Wall-mounting parts (C300)

D. IP54 Case (Floor and Wall-mounting Installation)

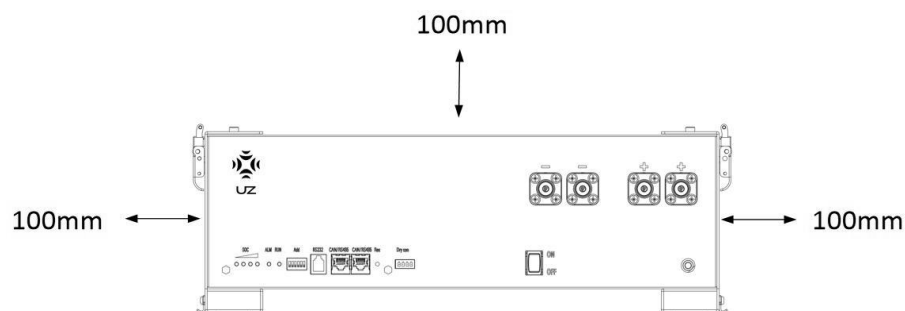


Fig. 5 IP54 Case (P200)

Power Lite requires adequate clearance for installation, cabling and airflow. Do not place any other objects within the clearance space, except those explicitly required by the installation (e.g. conduit, a junction box, or an electrical disconnect depending on local installation codes). Do not install anything above Power Lite that limits access to the unit or that might fall and damage the unit. Do not mount Power Lite upside down.

Power Lite Installation Space Requirements

A. Horizontal Installation



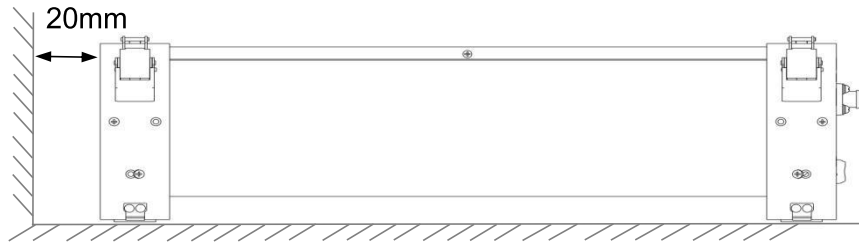
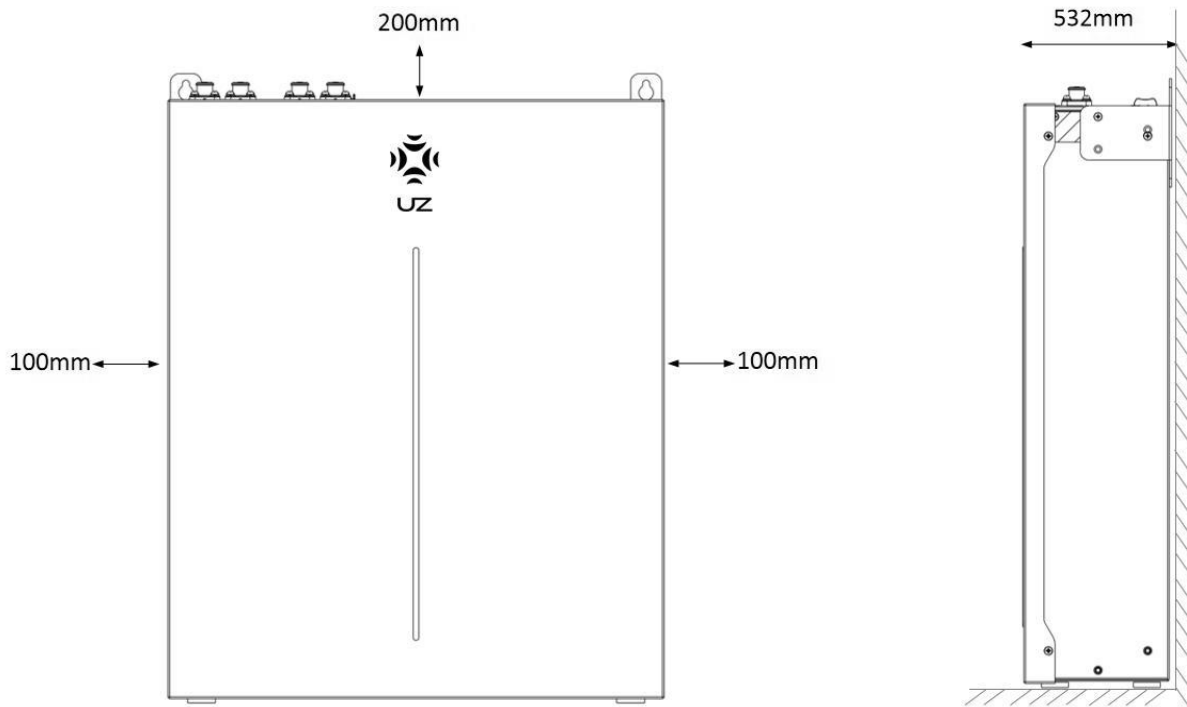


Fig. 5 Space Requirements Schematics

Space Requirements	
Min. clearance from left side	100 mm
Min. clearance from right side	100 mm
Min. clearance above single Power Lite	100 mm
Max. slope	+/- 2 degree side-to-side +/- 5 degree front-to-back

B. Floor-mounting Installation



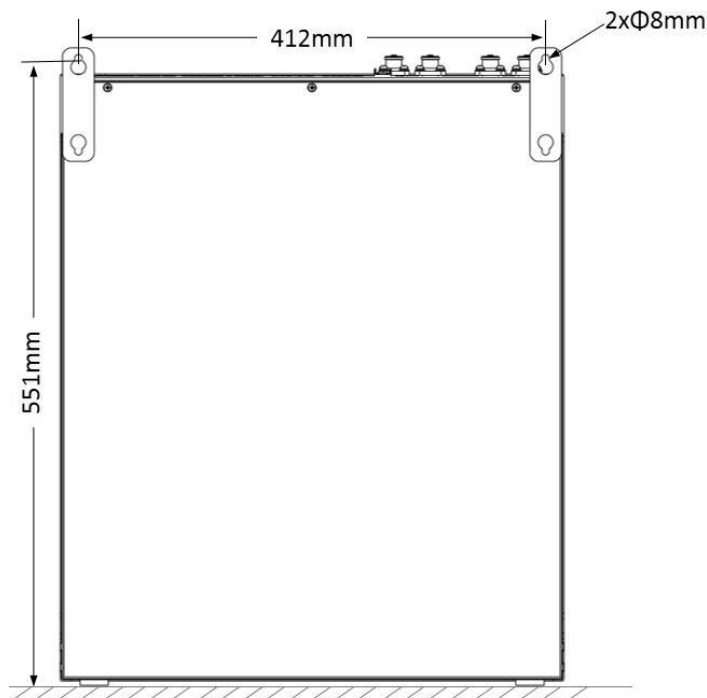


Fig. 6 Space Requirements Schematics

Space Requirements	
Min. clearance from left side	100 mm
Min. clearance from right side	100 mm
Min. clearance above single Power Lite	200 mm
Max. slope	+/- 2 degree side-to-side +/- 5 degree front-to-back

C. Wall-mounting Installation

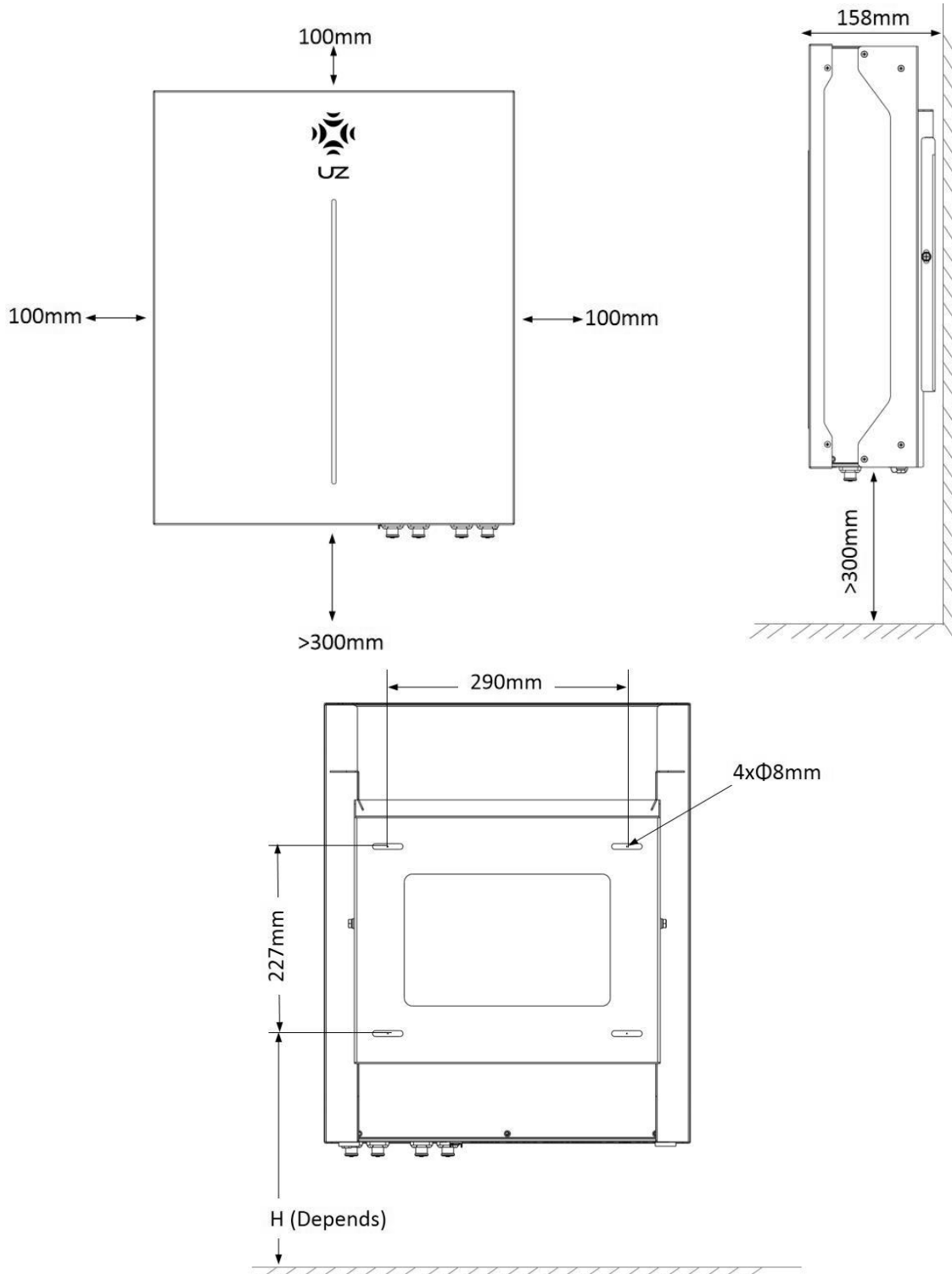


Fig. 7 Space Requirements Schematics

Space Requirements	
Min. clearance from left side	100 mm
Min. clearance from right side	100 mm
Min. clearance above single Power Lite	100 mm
Min. clearance at the bottom	300 mm
Max. slope	+/- 2 degree side-to-side +/- 5 degree front-to-back

D. IP54 Case (Floor and Wall-mounting Installation)

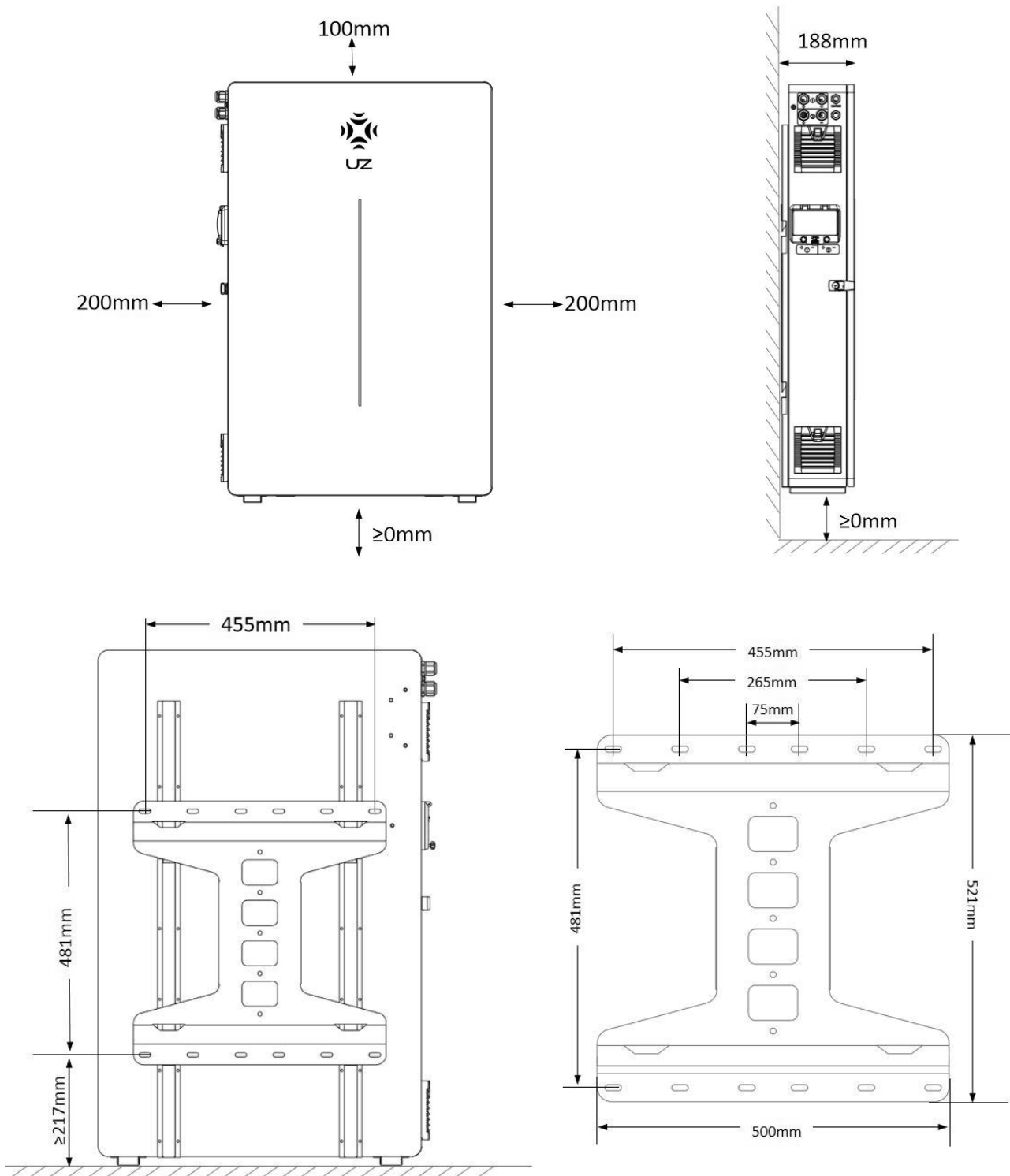


Fig. 8 Space Requirements Schematics

Space Requirements	
Min. clearance from left side	200 mm
Min. clearance from right side	200 mm
Min. clearance above single Power Lite	100 mm
Min. clearance at the bottom	≥0 mm
Max. slope	+/- 2 degree side-to-side +/- 5 degree front-to-back